

FTD100-XXR3 Series

OT Systems

8-bit Digital Triple Independent Video Receiver



The FTD100-XXR3 series Triple Independent Video Receiver recovers three separate channels of 8-bit PCM coded video on three independent multimode or singlemode optical fibers. Its card module feature enables it to be fitted in the FT-C18 rack mount chassis and thus maximizes the channel capacity by accommodating up to 54 video channels within one rack mount chassis.

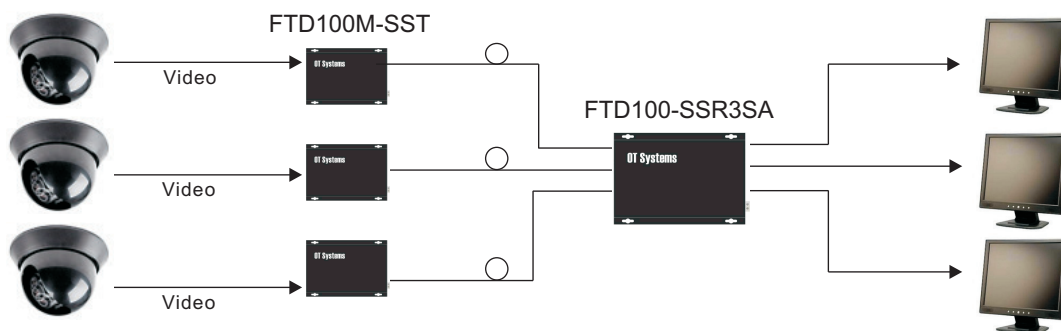
The FTD100-XXR3 series Triple Independent Video Receivers are compatible with transmitters of the FTD100Micro, FTD100M and FTD100 series

8-bit Digital Video

Features

- Recover three separate channels of non-compressed 8-bit digital video in one module
- Non-compressed 8-bit digital video transmission
- No video degradation over max. operating distance
- Signal to noise ratio better than 60 dB
- Supports NTSC, PAL & SECAM video systems
- Gold plated BNC connector
- Laser diode for optical transmission
- Optimum sensitivity for power budget concerns
- Excellent suppression of EMI & RFI and elimination of ground loop
- Adjustment and maintenance free
- No setup just plug-and-play
- Standalone or card type
- Hot-swappable card modules
- Duplicated LED indicators on the front and rear of the unit for the convenience of observation
- Transient voltage protection on power supply and all signal inputs & outputs
- Robust design for harsh environment applications
- Cost effective solution for small scale systems
- Compatible with transmitters of the FTD100Micro, FTD100M and FTD100 series

Typical Application



FTD100-XXR3 Series

Ordering Information

Model	Description	No. of Fibers (Wavelengths)	Optical Power Budget	Max. Distance
MULTIMODE (62.5/125 um)				
FTD100-SMR3	3 Independent Video Receiver	3 (1310 nm)	23 dB	4 km
SINGLEMODE (9/125 um)				
FTD100-SSR3	3 Independent Video Receiver	3 (1310 nm)	17 dB	40 km
FTD100-SSR3L	3 Independent Video Receiver	3 (1310 nm)	24 dB	60 km
Compatibility:	FTD100-SMR3 with FTD100Micro-SMT, FTD100M-SMT & FTD100-SMT FTD100-SSR3 with FTD100Micro-SST, FTD100M-SST & FTD100-SST			
Accessories:	FT-C18. 19" rack mount chassis (purchased separately) for housing card modules FT-PA/12V. 12VDC power adapter included for standalone (US, European, UK or Australian power plug)			
Options:	Model numbers specified above are for Card Modules, please add ' SA ' for Standalone. eg. FTD100-SMR3 SA ST type connector is standard. For FC type, specify ' F ' in the model number. Eg. FTD100-FMR3			

- NOTES: (1) Transmission distance will suffer if additional losses are introduced by the optical connectors, fusions, splices and the fibers within the network.
 (2) Operating distance of multimode is limited by the characteristics of the fiber bandwidth.
 (3) Power adaptor is manufactured by third party and is supplied with fitted screw-terminal output cables.
 (4) Please feel free to consult factory for any special requirement and customization

Specifications

Video		Electrical and Mechanical	
No. of Channels:	3	Power:	SA: 12VDC @ 6W Card: From FT-C18 chassis
Bandwidth:	6.5MHz per channel	Dimensions (HxWxD):	SA: 30 x 156 x 212mm Card: 154.0 x 20.4 x 212.0mm
Format:	PAL / NTSC / SECAM	Weight:	SA: 0.7kg Card: 0.3kg
Input / Output:	1.0 Vp-p, 75 ohms	No. of rack slots:	1
Differential Gain:	< 1% typical	LED Indicators:	Power, Video per channel, Optical carrier detected
Differential Phase:	< 1° typical		
Signal-to-Noise Ratio:	> 60dB		
Connectors		Environmental	
Optical:	ST (standard), FC	Operating Temp.:	-40°C to +75°C
Video:	BNC	Storage Temp.:	-40°C to +85°C
Power:	SA: 2-pin screw terminal Card: Futurebus connector	Relative Humidity:	0 to 95% non-condensing
		MTBF:	> 100,000 hours



**Lifetime
Warranty**